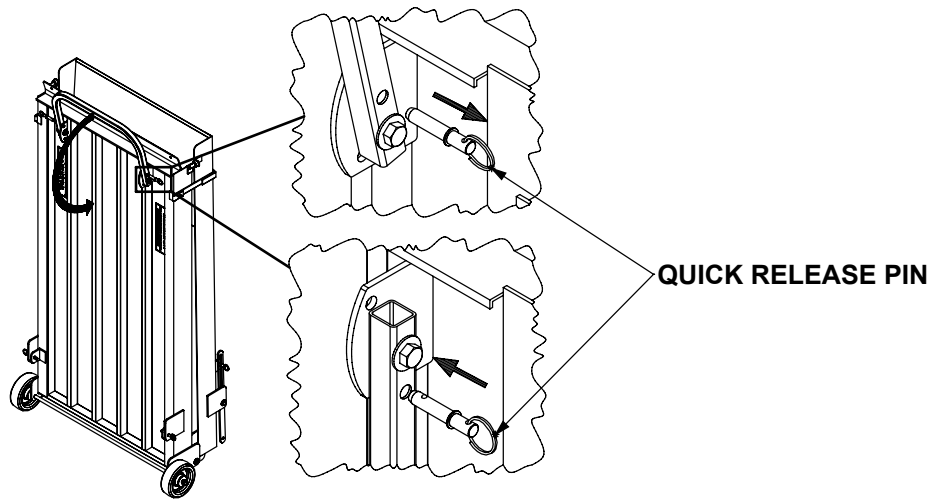
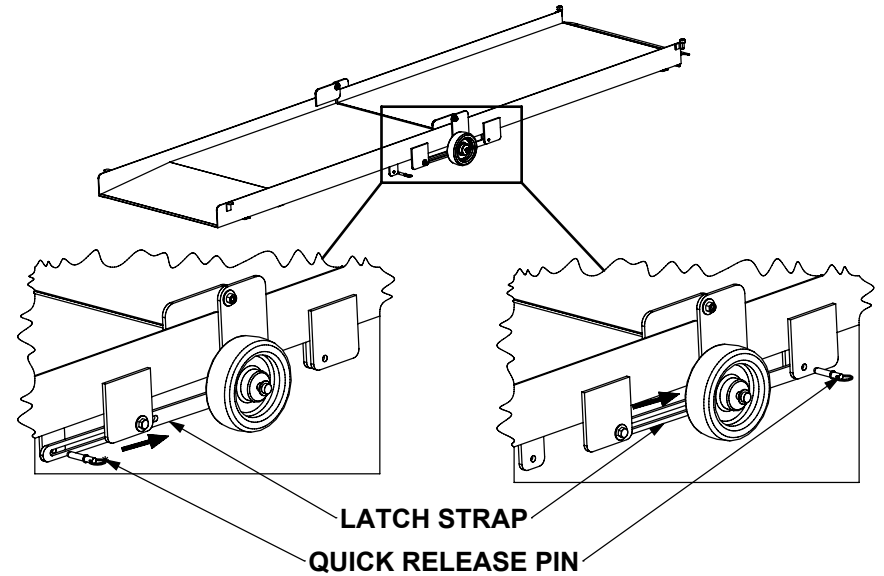


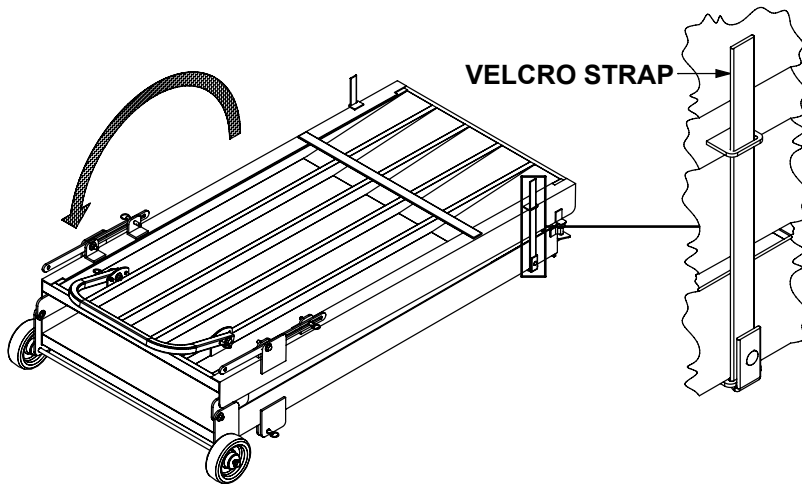
WHEEL-A-BOUT USERS GUIDE



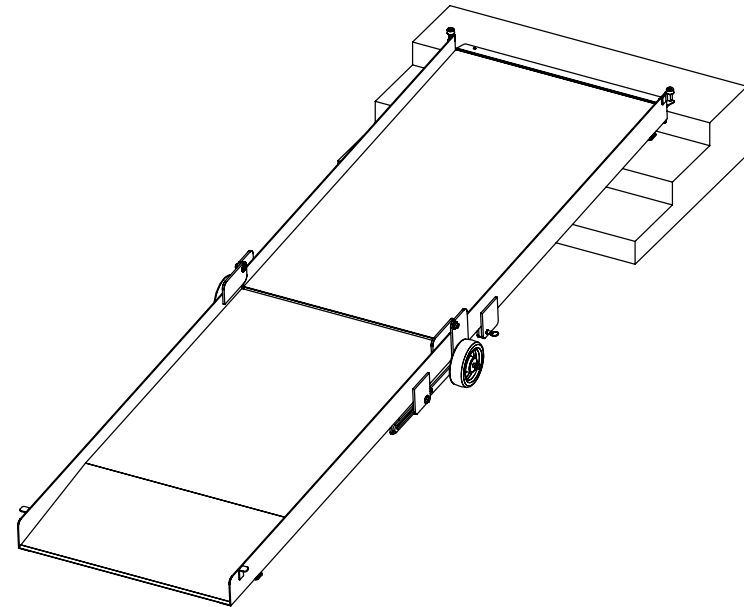
STEP#1: Stand ramp upright and remove quick release pins from handle. Fold handle down and replace quick release pins to lock handle in place.



STEP#3: Remove quick release pins from bottom assembly on each side of the ramp, and slide latch straps forward and align holes in latch strap with top assembly and replace quick release pins.



STEP#2: Lay ramp flat with the hook side down and undo Velcro straps, and unfold ramp. **DO NOT UNDO VELCRO BEFORE LAYING THE RAMP FLAT DOING SO COULD RESULT IN INJURY.**



STEP#4: Move ramp into position for use making sure the hook is positioned correctly on step. Use pins provided to anchor ramp to step. Holes for pins will need to be drilled. **DO NOT USE RAMP UNLESS IT HAS BEEN ANCHORED DOWN.**